

Universal variable geometry snowplough

With Unix rapidly clearing snow in cities, car parks and narrow or unmade roads is no longer a problem.

The Bucher Unix universal snowplough is a multi-purpose all-rounder: in the variable v-plough configuration, it can clear large quantities of snow; in the shovel configuration, it can be used to clear large open spaces or clear narrow tracks perfectly without snow accumulating at the sides; the snowplough configuration guarantees quick removal of snow with maximum safety that only a highly professional product can offer.

A high strength steel structure, HD polyethylene shield and hydraulically interchangeable double scraping edge are special features that make Unix a universal, strong, practical and high performing snowplough which can be used on all types of snow.

From the smallest equipment-holder to the largest truck, a range of 18 models will meet all operating requirements by adapting perfectly to every vehicle and make the work easy, safe, silent and extremely efficient.
Bucher Unix: one edge, three positions, endless satisfaction!

Bucher Municipal



For local contact and support, please scan the QR code or visit buchermunicipal.com

At Bucher Municipal we design innovative solutions for cleaning and winter maintenance and help our customers to grow and make their work more efficient and profitable. With over 200 years in the business, we are committed to helping you accomplish more with less. We are proud to be considered a reliable partner and work at local level with you to create a smarter, cleaner and more efficient future.



● Bucher Municipal locations
● Distribution Partners

Your Bucher Municipal contract partner:

Driven by better



BMU_5p_UNIX_rev01 - 09/2021
The technical data and pictures are indicative and not binding.

Unix Universal variable geometry snowplough





Neoprene scraping edge

Bi-shore neoprene scraping edge with a negative angle of attack, made in one section, patented, ideal for all types of snow and especially fresh and thawed snow. Essential on cobblestones or block paving. As well as removing all the snow, it guarantees minimum noise levels.



Double scraping edge

The snowplough configuration with a double scraping edge, the first in neoprene with a negative angle of attack, the second in Hardox 400 steel with a positive angle of attack, which are hydraulically interchangeable, can be used on any type of snow from very fresh to more compact or icy snow.

	Su	Ru	Lu	Mu	
Length of scraping edge	da 1400 a 2400	da 2800 a 3000	da 3000 a 3200	da 3200 a 3600	mm
Working width	da 1190 a 2145	da 2560 a 2670	da 2450 a 2850	da 2570 a 3200	mm
Weight	da 210 a 285	da 520 a 650	da 625 a 770	da 970 a 1300	Kg
Height of side snowplough – centre/sides	650 / 770	850 / 1060	950 / 1140	1230 / 1385	mm



HD polyethylene shield

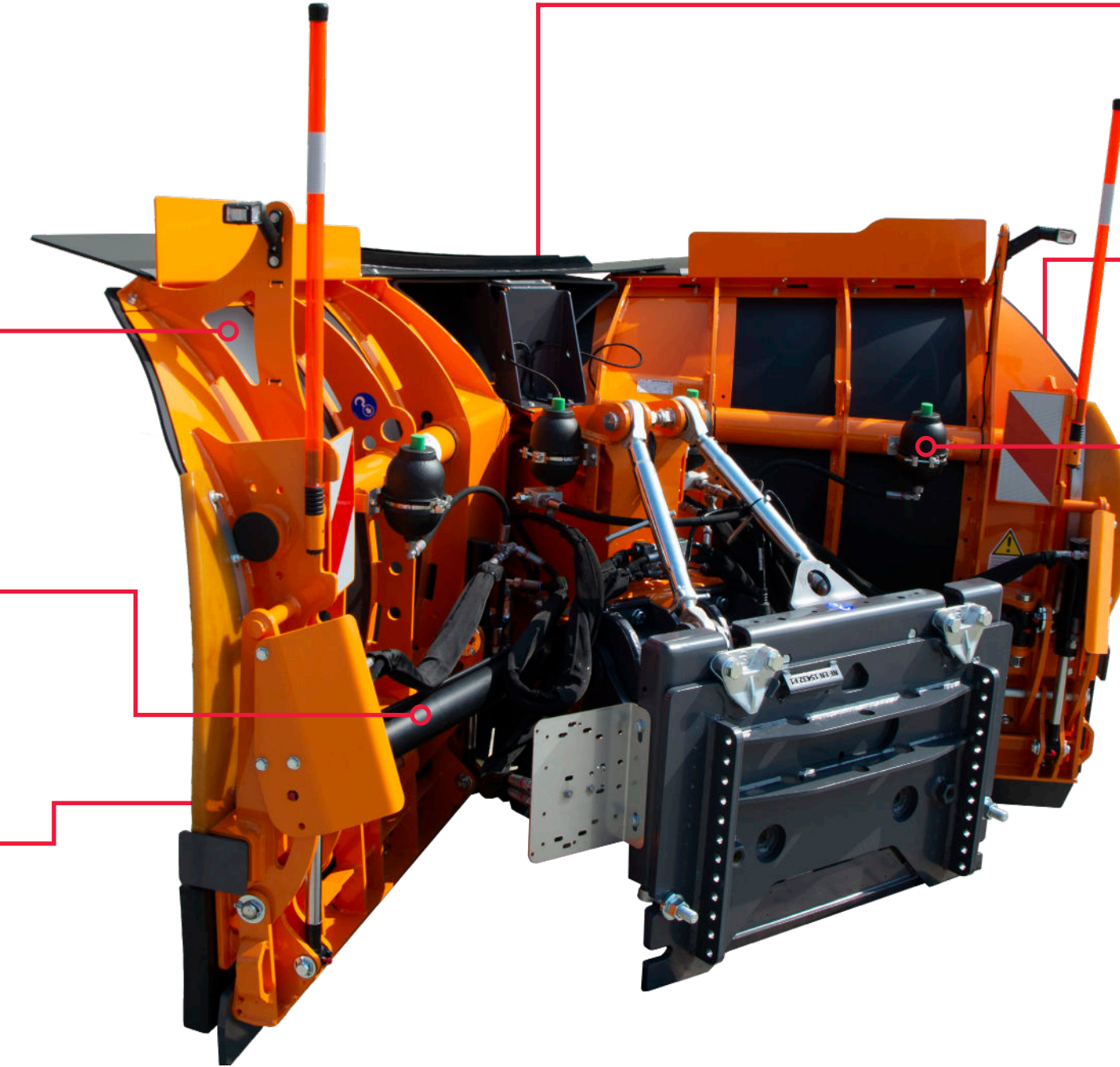
The front shield consists of a strong structure in high strength steel and a recyclable HD polyethylene shield with a curved, open profile which can clear large quantities of snow. The polyethylene puts less load on the vehicle's front axle and makes the snow less sticky with less power required from the vehicle.

Absorption of side impacts

A safety by-pass valve in the hydraulic rotation circuit allows the side impacts to be absorbed and guarantees increased operator safety.

Corrosion protection

The innovative high protection painting cycle consists of a first SA2.5 shotblasting stage with different sized beads following by the application of zinc-based epoxy primer and a final coat of polyester topcoat with firing at 200° C. The painting cycle is tested for over 2000 hours in salt fog.

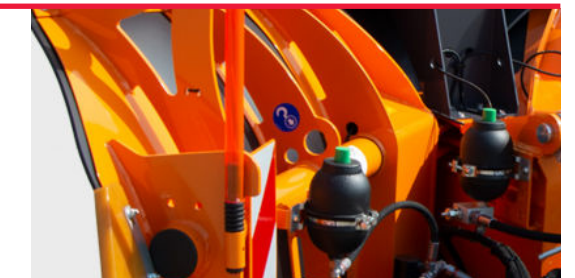


Curved wings and central wedge

Profile curved at top to prevent snow being discharged towards the vehicle but also very open to make it easier to clear large quantities.

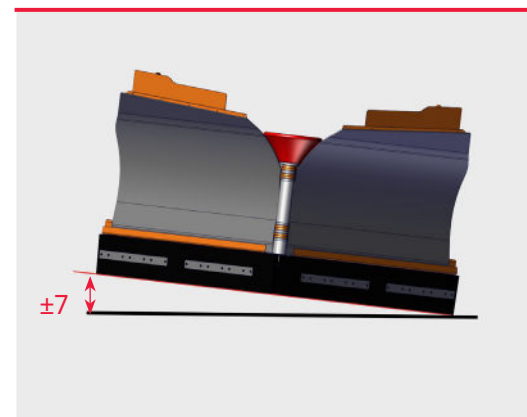
Compact structure

Very strong structure made of high strength electro-welded steel with no weld seams.



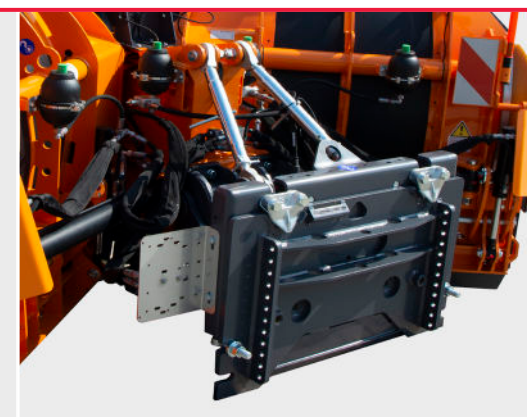
Impact safety system

Safety system for overcoming obstacles using nitrogen accumulators connected to the hydraulic cylinders which help to absorb front impacts.



Side oscillation

Exclusive compression system on the base plate for side oscillation which guarantees perfect adherence to the road surface when in use and keeps the scraping edge stable when raised.



Push unit

Different types of push units and rapid coupling systems depending on vehicle.



Signalling devices

LED marker lights, fog lights, fluorescent lights or marking flags and reflective stickers are just some of the signalling devices available.



Variable v-plough configuration

Ideal for cleaning large quantities of snow thanks to the very open shield profile which discharges it to the sides.



Shovel configuration

Ideal for clearing snow in large open spaces or narrow tracks in city roads.



Snowplough configuration

The curved profile and HD polyethylene shield make this ideal for clearing snow at speed.