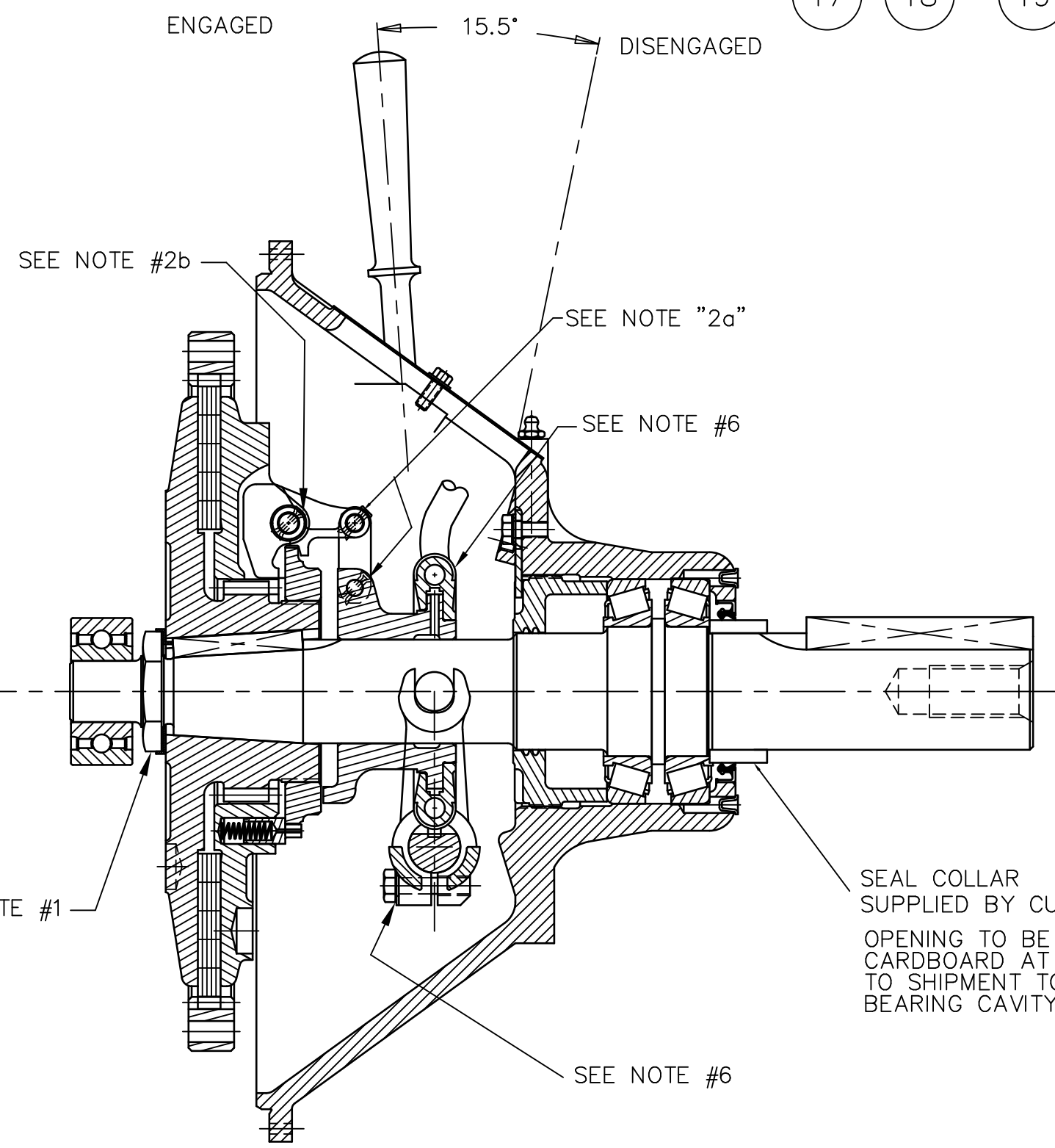
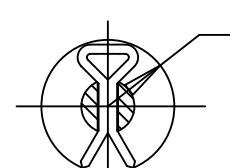


ITEM	PART NO.	QTY.	NAME	REMARKS
1	ZA6505A	1	HUB AND BACKPLATE	
3	6625D	1	RING, DRIVING	
4	A5579D	1	PLATE, FRICTION	
5	A6506B	1	PLATE, PRESSURE	
7	B1304	3	LEVER	
8	M2115C	6	WASHER	
9	B1538A	3	PIN, CLEVIS	
10	B1535C	3	PIN, COTTER	
11	B1537D	6	PIN, CLEVIS	
12	B1535B	6	PIN, COTTER	
13	2617	6	LINK	
14	M2032BE	1	KEY	
15	1092	1	NUT	
16	B1511U	1	WASHER	
17	A2701BD	1	SPRING, COMPRESSION	
18	B2340	3	PIN	
19	A4238	1	RING, ADJUSTING	
21	A4237	1	SLEEVE, SLIDING	
22	X117	1	COLLAR ASSEMBLY	
29	M1283	1	FITTING	
30	M1292A	1	HOSE	
31	M1284	1	FITTING	
32	M2001E	1	SCREW, HEX. HD.	
33	M2046L	1	WASHER	
34	1216	1	RETAINER, CLIP	
35	M2046AF	1	WASHER	
36	M2027AN	1	NUT	
37	M268	2	FITTING	
38	M2041AB	1	SCREW, SET	
39	8252L	1	HOUSING	
40	2815AQ	1	PLATE, INSTRUCTION	
44	O2006092	2	SCREW	
45	A5188BV	1	SHAFT, CLUTCH	
46	M2033BH	1	KEY	
47	M224A	1	BEARING, PILOT	
48	M2067L	2	PROTECTOR	
49	X3799E	1	LEVER, HAND	
50	B2147	1	RETAINER, BEARING	
51	MA590	2	BEARING, CUP	
52	MA585	2	BEARING, CONE	
54	M2022Z	2	KEY, WOODRUFF	
55	M503	2	FITTING	
56	X125A	1	YOKE ASSEMBLY	
57	1144E	1	SHAFT, OPERATING	
58	1018949	1	SEAL	
90	1022762CD	2	MANUAL	

PACKAGING NOTES:
 1.) THESE ITEMS ARE SHIPPED LOOSE FROM PTO.
 (3) (46) (47) (49) (90)



- ASSEMBLY NOTES:**
- SEAT HUB USING 30 LB.-FT. TORQUE ON NUT. THEN TIGHTEN NUT BY TURNING AN ADDITIONAL 150 TO 180 DEGREES.
 - 
 - R=0.38 MAX. FOR COTTER PINS
 - R=0.47 MAX. FOR COTTER PINS
 - REFER TO BOM FOR INSTRUCTION PLATE STAMPING INFORMATION
 - REFER TO TWIN DISC STANDARD S574 FOR TORQUE VALUES.
 - REFER TO TWIN DISC STANDARD S564 FOR LUBRICATION PROCEDURES.
 - REFER TO TWIN DISC STANDARD S364R FOR COLLAR LUBRICATION PROCEDURES.

7.) GREASE MAIN BEARINGS AND COVER OPENING AT FACTORY PRIOR TO SHIPMENT.

REV	SHEET	ZONE	CH. NO.	DATE	REV	SHEET	ZONE	CH. NO.	DATE

UNLESS OTHERWISE SPECIFIED MACHINED DIMENSIONS X.X ±0.030 X.XX ±0.010 X.XXX ±0.005 ALL ANGULAR TOLERANCES ±1° GEOMETRIC TOLERANCING PER ASME Y14.5M 1994.	WEIGHT LBS.	WRT LBS./IN. ³	FIRST USE ASSY. SP111P329 MODEL SP111HP3
NOTICE: THIS PRINT CONTAINS PROPRIETARY INFORMATION AND IS NOT TO BE USED IN ANY MANNER DETRIMENTAL TO THE INTEREST OF TWIN DISC, INCORPORATED. THIS NOTICE IS NOT INTENDED TO NULLIFY OR LIMIT RIGHTS GRANTED TO THE U.S. GOVERNMENT OR OTHERS BY CONTRACT.			

INCH
THIRD ANGLE PROJECTION

MATERIAL	HEAT TREAT
SIMILAR TO	NAME
	SP111HP3 POWER TAKE-OFF

DATE 09-05-07
 SCALE 3/8" = 1"
 DRN. DJH
 CHK. SAG
 APPR. SAG
 DWG. SIZE D
 SHT. OF 2
 REV. B

TWIN DISC
 INCORPORATED
 RACINE, WI 53403 - USA

SP111P329